



PE

STRUCTURE



PE

FLOAT

## RBM12

### Buoys for shallow waters

This buoy has been especially designed to be used during work periods, danger marking, emergency buoys or in shallow waters.

### Rotomoulded polyethylene

Float made from high-quality rotomoulded virgin polyethylene, divided into two sections. Polyethylene includes the necessary pigment that provides the colour. UV filters guarantee a stable colour protection during its whole service life. It incorporates reinforcements from the waterline to the mooring eye. To ensure its buoyancy, the float is filled with closed-cell expanded polyurethane foam.

### Long service life

Metallic buoy parts (superstructure and tail) are made from hot-dip galvanized steel, providing a long service life under harsh marine conditions. They can be customized under client's request, as well as to be made from stainless steel or marine aluminium.



Region A

## FEATURES

- Float made from high-quality rotomoulded virgin polyethylene of 10 mm thickness. Other thicknesses available on request.
- Float filled with closed-cell expanded polyurethane foam inside.
- Metallic parts from hot-dip galvanized steel.
- Colour impregnated in the polyethylene.
- Chromaticity according to IALA Recommendations.
- UV protection.
- Compatible with a large variety of self-contained lanterns.
- Top mark to increase buoy conspicuity at daytime.
- Stainless steel hardware.
- Minimum maintenance.
- Designed according to IALA Recommendations.

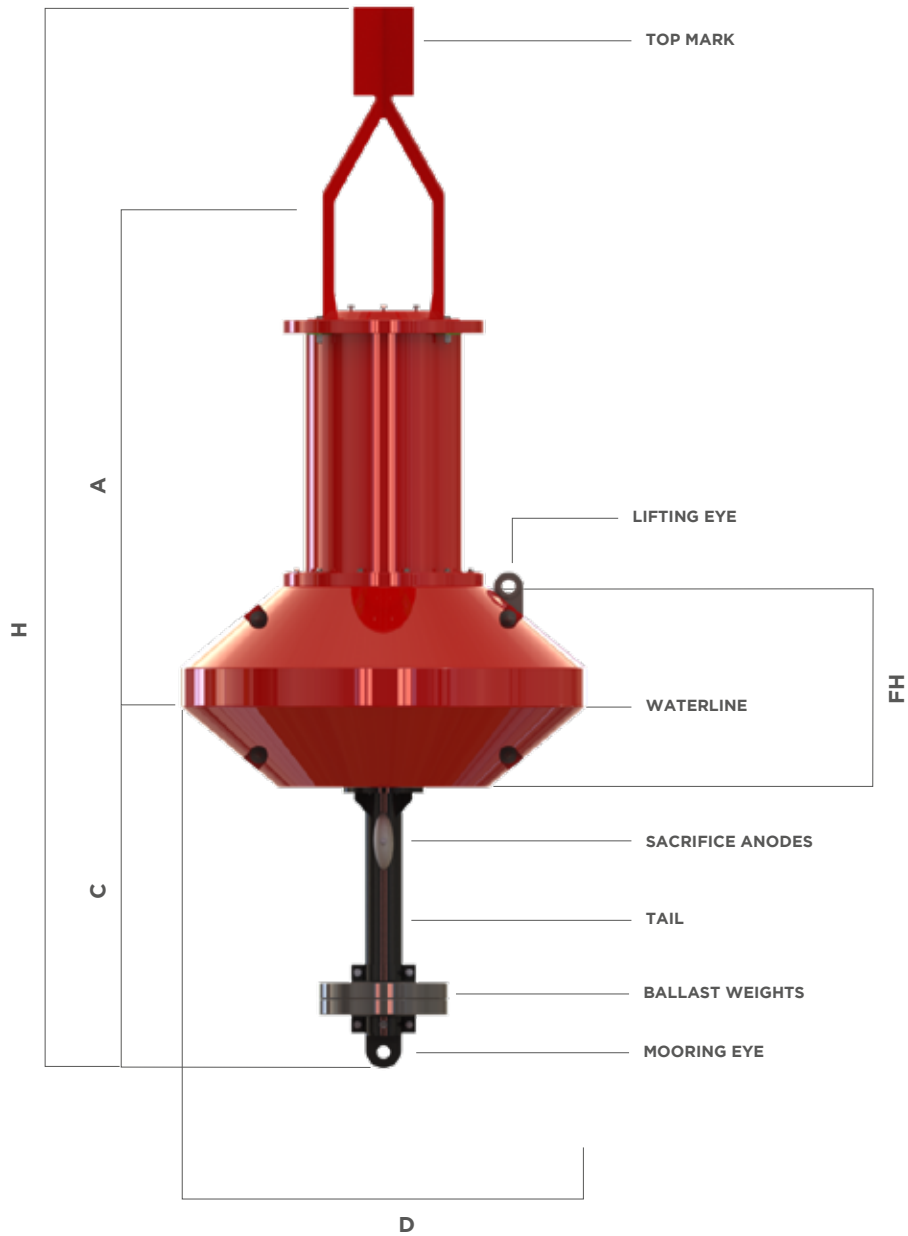


Region A

# RBM12

|              | (D) Float diameter | (A) Focal Height | (FH) Float Height | (C) Draft | (H) Total height | Float Volume       | Total weight | Max. chain |
|--------------|--------------------|------------------|-------------------|-----------|------------------|--------------------|--------------|------------|
| <b>RBM12</b> | 1.25 m             | 1.5 m            | 0.6 m             | 1.35 m    | 3.27 m           | 0.5 m <sup>3</sup> | 212 kg       | 200 kg     |

\* Other volumes and heights available under request.

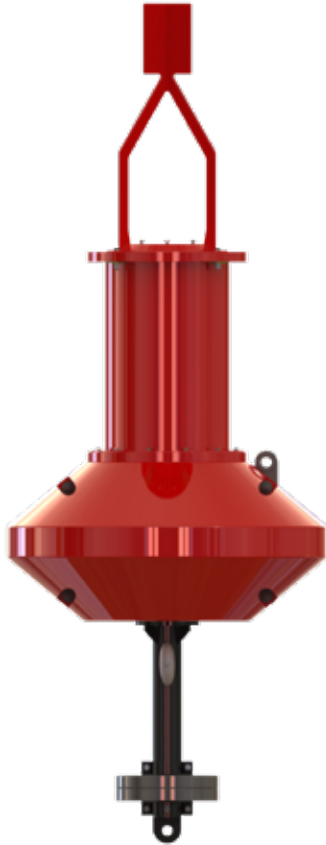


Region A

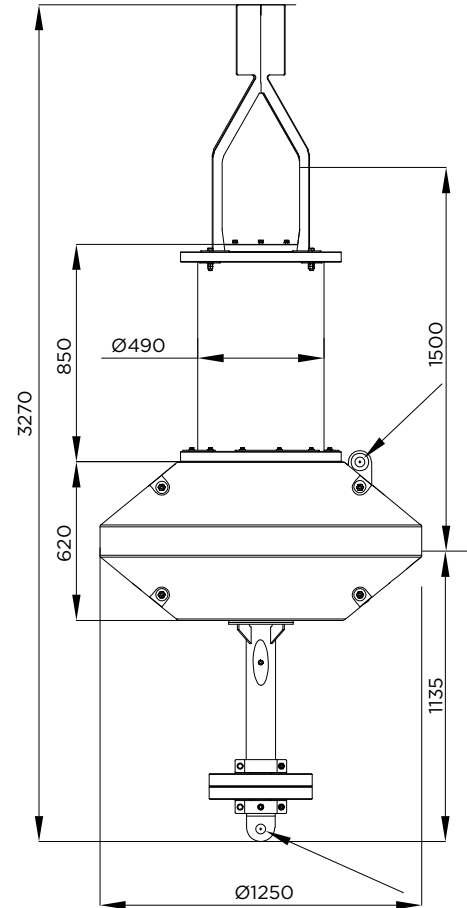
# RBM12

## ■ Versions

RBM12



Region A



# RBM12

## Superstructure

|                      |                                                           |
|----------------------|-----------------------------------------------------------|
| <b>Material:</b>     | 12 mm thickness rotomoulded virgin polyethylene.          |
| <b>Coating:</b>      | UV and marine environment resistant polyurethane coating. |
| <b>Top mark:</b>     | Marine aluminium.                                         |
| <b>Lifting eyes:</b> | 1 no.                                                     |
| <b>Hardware:</b>     | Stainless-steel.                                          |

## Float

|                  |                                                  |
|------------------|--------------------------------------------------|
| <b>Diameter:</b> | 1,25 metros.                                     |
| <b>Material:</b> | 10 mm thickness rotomoulded virgin polyethylene. |
| <b>Filling:</b>  | Closed-cell expanded polyurethane foam.          |

## Tail

|                         |                            |
|-------------------------|----------------------------|
| <b>Material:</b>        | Hot-dip galvanized steel.  |
| <b>Ballast weights:</b> | Treated steel, detachable. |
| <b>Mooring eyes:</b>    | 1 nos.                     |
| <b>Protection:</b>      | Sacrifice anodes.          |

## Options

Cast-iron ballast weights.  
Polystyrene filling available under request.  
Short tail available (PBM12).  
Passive radar reflector of 8 m<sup>2</sup> RCS.  
Other thicknesses available on request.



Specifications subject to change without previous notice.

