



MCL400

Great optical efficiency

The MCL400 is a compact LED marine lantern of medium and long range, with built-in solar power, characterized by great optical efficiency and low consumption, made up of LED diodes of high intensity, reaching a maximum range of 22 nautical miles.

Multiple remote control options

This lantern is ready to integrate different remote monitoring systems through GSM, UHF or satellite communications. It also has the possibility of fitting AIS AtoN devices and being monitored through this system.

Antivandal design

The MCL400 has been designed with special consideration to vandalism measures, as its installation is very common in very isolated places. It has special screws, panels with anti-theft fitting and a high resistant marine aluminum chassis.

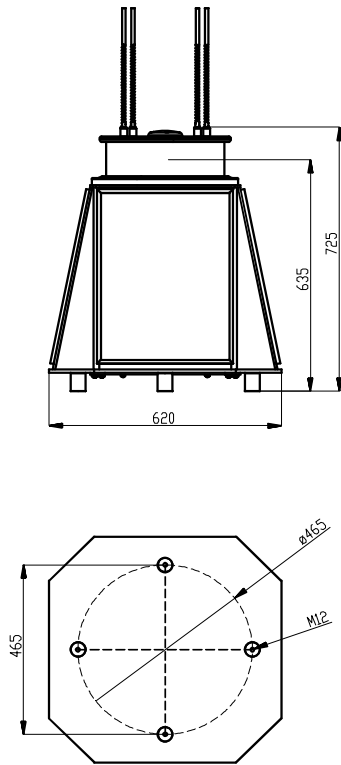
Designed according to IALA Recommendations.



FEATURES

- High-efficiency luminous system.
Up to 15 nm ($T=0.74$), 22 nm ($T=0.85$).
- Vertical divergence of 2° ($50\% I_0$).
- 360° horizontal output.
- Average operation lifetime over 10 years.
- IP 67 watertightness degree (immersion resistant).
- Double RS-232 serial port for setting adjustments by PC and remote monitoring system.
- Programming, configuration and operating status via PC, Bluetooth or IR programmer as an option.
- Ready to integrate remote monitoring via GSM, UHF or satellite, synchronization via GPS or AIS AtoN module.
- Autonomy without solar charging up to 400 hours.
- Automatic energy management, according to solar radiation.
- 4 nos. solar modules of 20 W each.
- Base made of marine aluminium.

MCL400



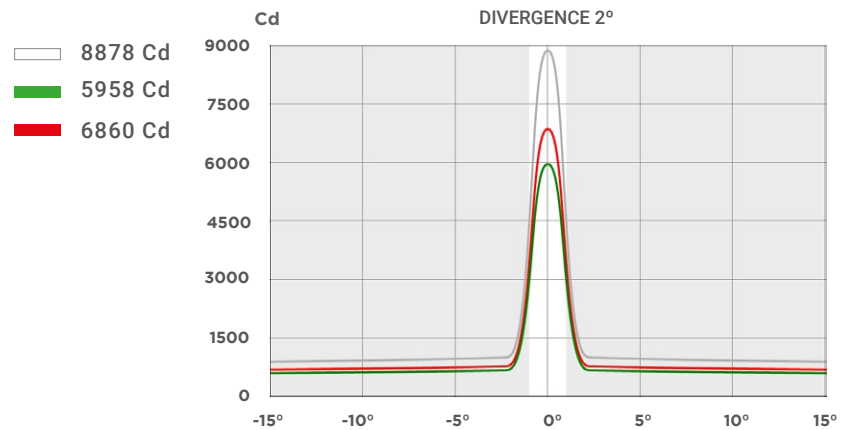
Technical Features

Light source:	Ultra-bright LED diodes.
LED average life:	More than 100,000 hours.
Flash rhythms:	256 rhythms (6 nos. user selectable).
Solar module:	4 nos. of 20 W.
Battery:	Up to 78 Ah, Lead Crystal®, maintenance-free.
Base:	Marine Aluminium.
Lens cover:	UV stabilized acrylic.
Watertightness degree:	IP 67.

Options

- Infrared (IR) programmer.
- PC programming kit.
- Fixing kit for 4 bolts in a 465 mm diameter.
- Hoisting kit.
- Other specifications available under request.
- Other battery capacities available.
- MCL400-SYNC (GPS synchronization).
- MCL400-TG (GSM remote control).
- MCL400-TR (Radio remote monitoring).
- MCL400-TS (Satellite remote monitoring).
- MCL400-AIS (AIS AtoN).

Peak intensities (Cd)



Specifications subject to change without previous notice.

Luminous ranges will be affected depending on latitude, flash rhythms and chosen options.